



## Premium Modules MADE IN GERMANY



### Premium L poly

285 W • 290 W

- High efficiency, high safety, high reliability
- Highly transparent self-cleaning glass
- Premium L: Improved innoframe stability
- TE (Tyco Electronics) Solarlok Junction box
- 5-busbar-technology



# Premium L poly

## Electrical data under STC (Standard Test Conditions: 1000 W/m<sup>2</sup>, 25 °C, AM 1.5)

Rated power	$P_{max}$	285 W	290 W
Sorting limits of performance		0/+5 W	0/+5 W
Voltage	$U_{MPP}$	31.25 V	31.49 V
Open circuit voltage	$U_{OC}$	39.21 V	39.42 V
Current	$I_{MPP}$	9.12 A	9.21 A
Short-circuit current	$I_{SC}$	9.51 A	9.60 A
Efficiency		17.10 %	17.40 %

## Electrical data at 800 W/m<sup>2</sup>, NOCT (ambient temperature 20°C, wind speed 1 m/s)

Power in MPP	$P_{max}$	209.39 W	213.52 W
Voltage	$U_{MPP}$	28.51 V	28.70 V
Open circuit voltage	$U_{OC}$	36.29 V	36.30 V
Current	$I_{MPP}$	7.35 A	7.44 A
Short-circuit current	$I_{SC}$	7.70 A	7.75 A

## Temperature data

Power temperature coefficient	$T_k(P_{MPP})$	-0.43 %/K
Voltage temperature coefficient	$T_k(U_{OC})$	-0.325 %/K
Current temperature coefficient	$T_k(I_{SC})$	0.04 %/K

## Further information

Number of cells	60 polycrystalline cells
Max. system voltage	1000 V
Reverse current loading capability	15 A
Weight	18.5 kg
Front cover	Special hardened low-iron glass with anti-reflex coating; Glare reduced to a minimum
Module connection	TE Solarlok Junction box 3 bypass diodes IP 67 no potting, 2 x approx. 0.95 m solar cable Ø 4 mm <sup>2</sup> , plug connector PV4s
Snow load*	Premium L poly innoframe framed: 5400 Pa $\hat{=}$ 550 kg/m <sup>2</sup>

20-year product warranty, 25-year linear performance warranty according to our additional warranty conditions for solar power modules of the "Premium" product series, which we will gladly send you.

Subject to technical modifications with corresponding follow-up certifications. Errors excepted. Illustration similar.

\*Load tested according to EN IEC 61215 (ed. 2) In compliance with the installation and operating manual.

## Packaging Specifications

Truck	
Dimension pallet (L/W/H)	120/106/190 cm
Weight pallet	approx. 538 kg
Modules per pallet	28
Modules per truck	672

Shipment	
Dimension pallet (L/W/H)	120/106/190 cm
Weight pallet	approx. 538 kg
Modules per pallet	28
Modules per container [40' HC]	588

## Certifications

EN IEC 61215 (ed. 2)<sup>1</sup>

EN IEC 61730-1, -2<sup>1</sup>

EN 13501-1, class E

Protection class II

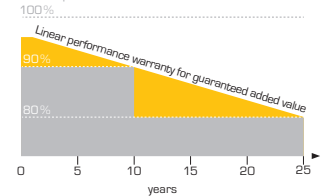
Directive 2014/35/EU (CE)

Hail protection class 3

<sup>1</sup>Subject to follow-up certifications.

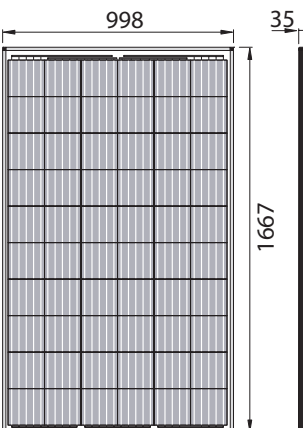


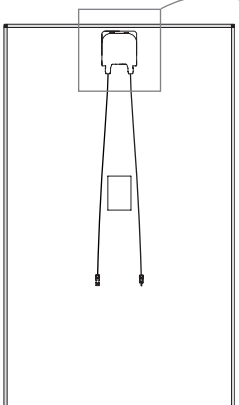

Module performance



■ Linear performance warranty  
■ Standard tiered warranty

**Premium L poly**



TE (Tyco Electronics) Solarlok  
Junction box

**Note:** Ensure correct polarity!

Your specialist dealer:

**SF Solar Fabrik GmbH & Co. KG**  
Im Gewerbegebiet 12  
63831 Wiesen  
Germany

Phone: +49 (0)6096 9 700-790  
Fax: +49 (0)6096 9 700-728  
Mail: info@solar-fabrik.de  
Web: www.solar-fabrik.de